



# SPI PILING

A E YATES GROUP

## 35<sup>TONNE</sup> Excavator with attachment SK350 3.3m V2.0 Kobelco 350

### Base Unit Details

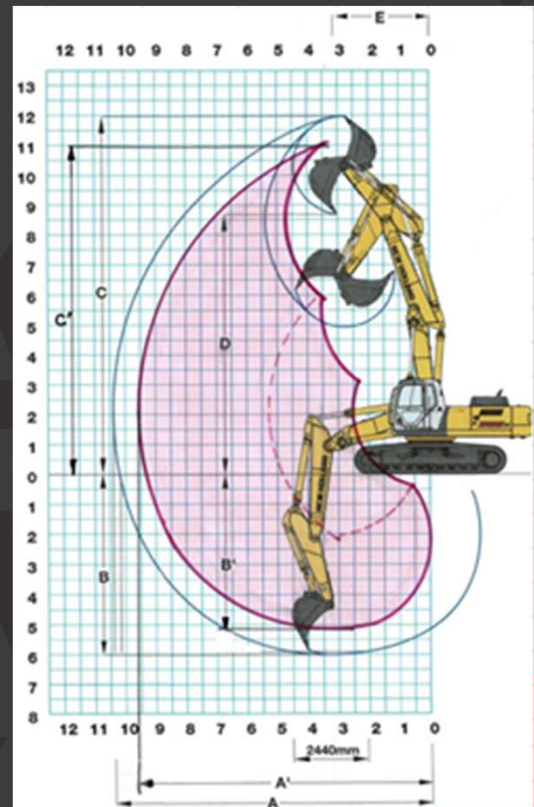
Version		SK350 LC
Operating Weight	Kg	37,650
Specific Ground Pressure	bar	55
Boom Length	mm	3,160 + 2,630
Dipper Arm Length	mm	3,300
Standard 1.6 m3 Bucket	kg	1,250

### Lifting / Digging Performance

A	mm	11,350
A'	mm	10,100
B	mm	7,200
B'	mm	5,150
C	mm	12,650
C'	mm	10,900
D	mm	9,280
E	mm	3,000

### General Dimensions

A	mm	11,270
B	mm	3,360
C	mm	3,390
D	mm	3,200
E	mm	1,190
F	mm	500
G	mm	3,600
H	mm	4,050
I	mm	4,960
J	mm	2,590
L	mm	800
K	mm	2,980



**STEEL PILING CONTRACTOR OF CHOICE**



**SPI McGRATTAN**  
A E YATES GROUP



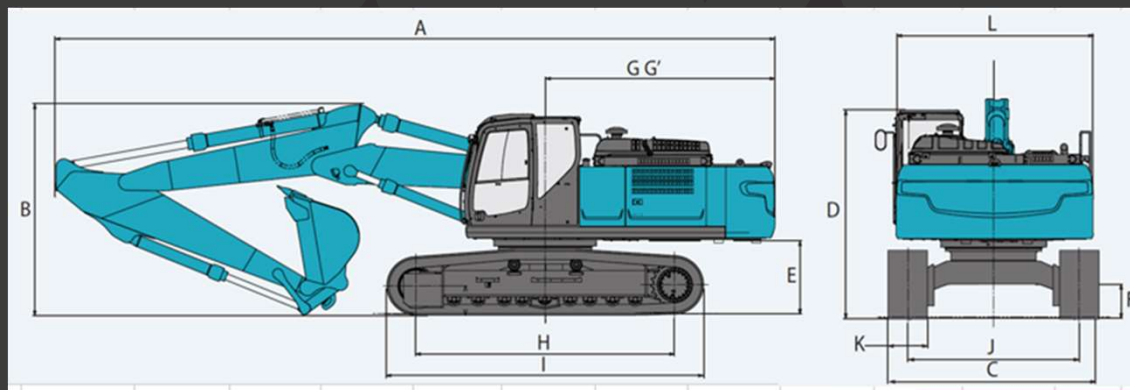
# SPI PILING

A E YATES GROUP

## 35<sup>TONNE</sup> Excavator with attachment SK350 3.3m V2.0 Kobelco 350

Model (MOVAX)		SPH-75	SP-50F	SP-50W
Hammer Weight	kg	2,400	2,250	1,820
Quick Hitch Weight	kg	500	500	500
Centrifugal Force	kN	750	500	500
Maximum Pile	kg	1,400	1,200	1,200

Model (Gilbert Grizzly)		Griz.MG-90	BSP DX-25	HPH 1200
Hammer Weight	kg	3,266	6,000	4,900
Quick Hitch Weight	kg	500	500	500
Centrifugal Force	kN	883	N/A	N/A
Maximum Pile	kg	2,850	N/A	N/A



**STEEL PILING CONTRACTOR OF CHOICE**



**SPI McGRATTAN**  
A E YATES GROUP