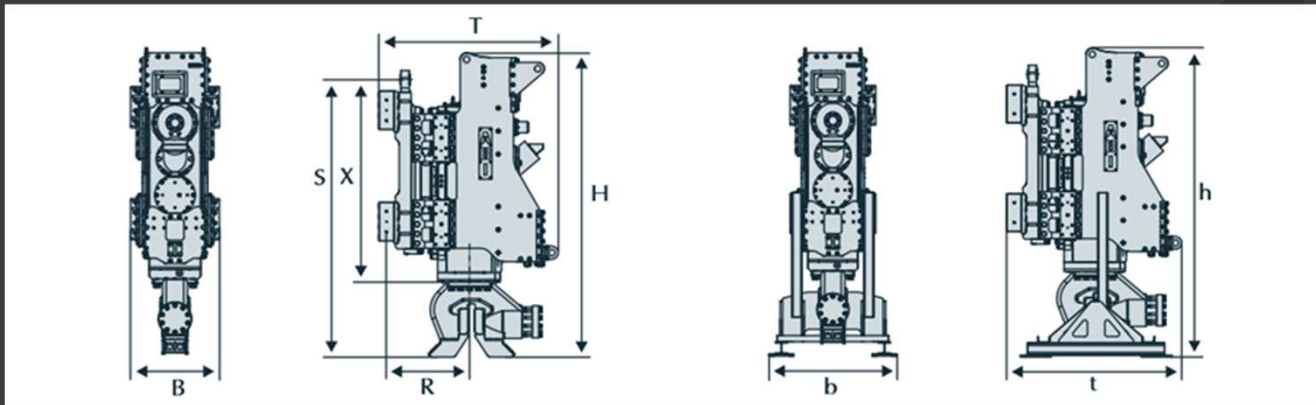




## Vibrators MRZV-18V



### Technical Data MRZV 18V

Static Moment	0-18 kgm
Dynamic Mass	2730 kg
Amplitude X 2	13 mm
Nominal Revolutions	2160 Min <sup>-1</sup>
Centrifugal Force at normal frequency	925 kN
Static extraction force max.	200 Kn
Nominal oil pressure	32 MPa
Hydraulic flow rate max.	693 l/min
Require hydr. Power at vibrator	360 kW
Total weight*/transport weight*	4120 / 4335 kg
Weight of pile elements max.**	2750 kg

### Dimensions\*

H	Height	2720 mm
B	Width	690 mm
T	Depth	1405 mm
R	Guild to driving axle	650 mm
S	Locking to the bottom	2530 mm
X	Locking to vibrator body	1880 mm

### Transport Dimensions

Height (h) / Width (b) / Depth (t)	2800 / 1030 / 1405
------------------------------------	--------------------