



SPI PILING
A E YATES GROUP

Kowan WP150 Pile Press



STEEL PILING CONTRACTOR OF CHOICE



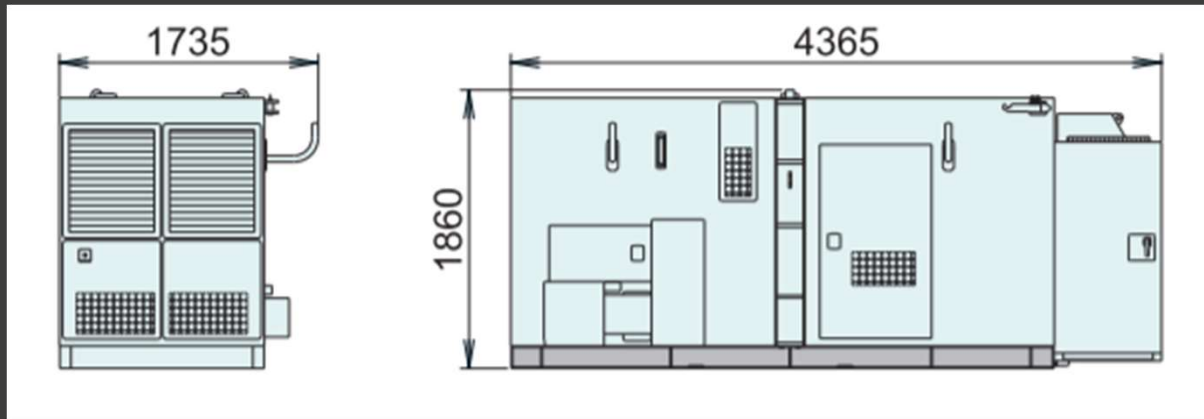
SPI McGRATTAN
A E YATES GROUP



□ **Specification**

STILL WORKER	WP-150
MAX. Pressing-in force	1,500kN
MAX. Drawing-out Force	1,600Kn
Stroke	800mm
Pressing-in Speed	1.8-23.0 m/min
Drawing-out Speed	1.9-18.0 m/min
Tilting Device	+5 degrees
Mast Rotation	180 degrees
Applicable Sheet Piles	U Profile 400mm-600mm In case of 400mm-pitch sheet piles, the optional use of No.1 or No 2 Clamp for No 2 Clamp is necessary.
Operation System	Wireless radio-control & cabled remote control
Moving System	Self-moving
Greases	Biodegradable Greases
Machine Length	2,455mm
Machine Width	1,140mm
Machine Height	2,580mm (Max3 31,0mm)
Weight	9,500kg / 11,200 on stand (at delivery)
HYDRAULIC POWER UNIT	TE-200C
Power	Diesel Engine 4-Cycle, Water-cooled Direct Injection Turbo
Output Rating	168kW/1,800min-1
Pump	Variable-Capacity Pump
Pressure Rating	35MPa max.
Fuel Oil Tank	350 Litres
Hydraulic Fuel Tank	550 Litres
Weight	5,460 kg

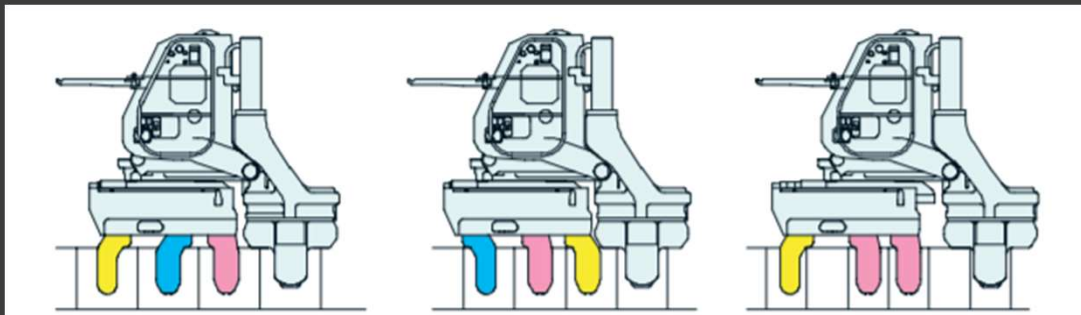
Hydraulic Power Unit (TE-200C)



SPI PILING
A E YATES GROUP

Press-in & Extract Three Kinds of U Piles

WP-100/150 can press-in & extracts 400/500/600mm U Piles by exchanging the position of clamps.

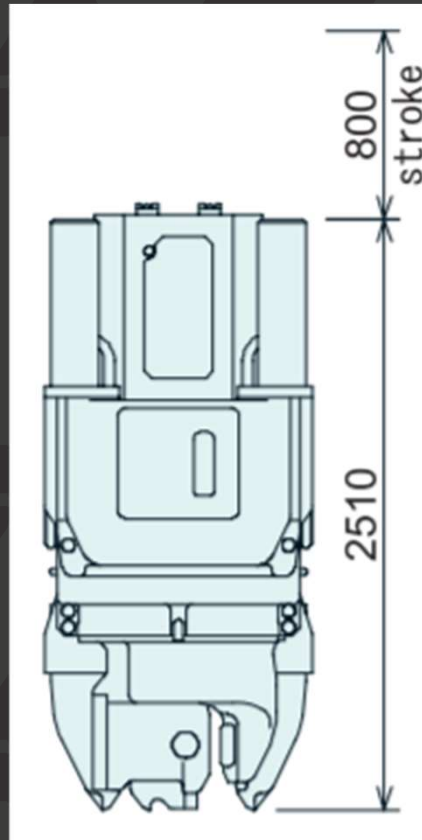
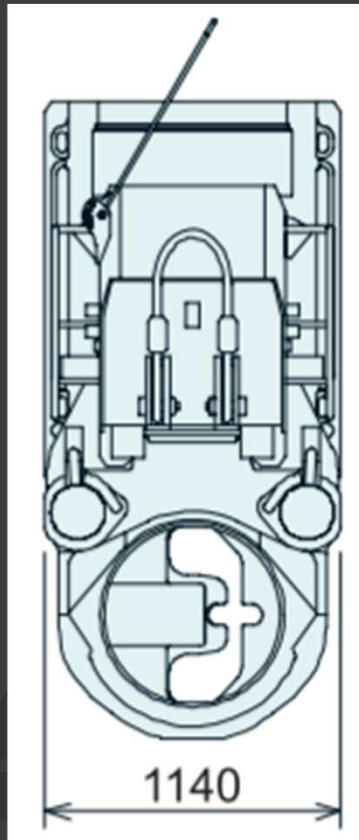
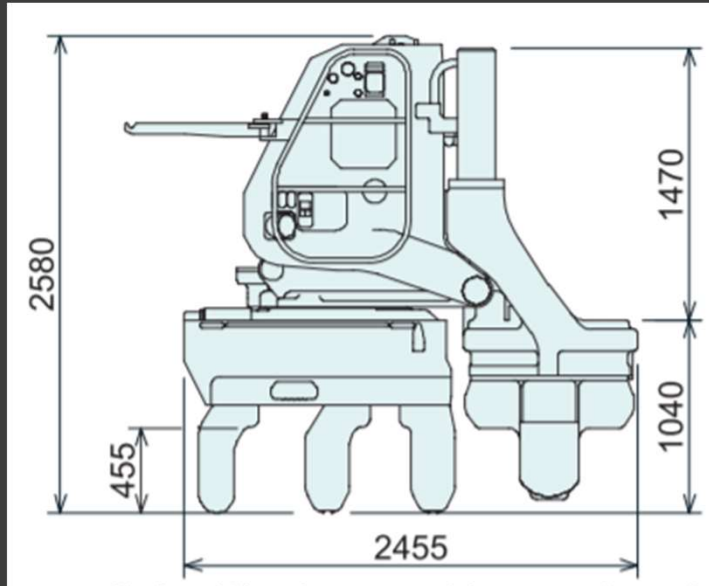


SPI McGRATTAN
A E YATES GROUP



SPI PILING
A E YATES GROUP

WP-150



STEEL PILING CONTRACTOR OF CHOICE

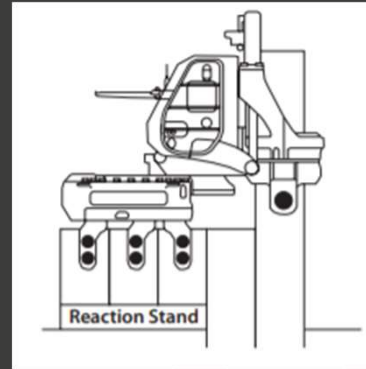


SPI McGRATTAN
A E YATES GROUP

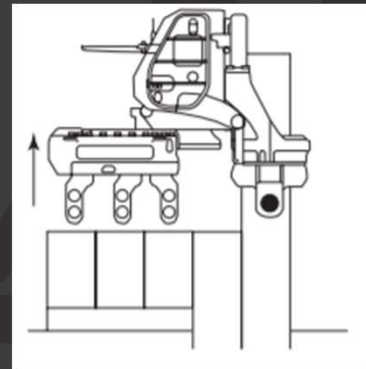


The Self Travel Manoeuvre:

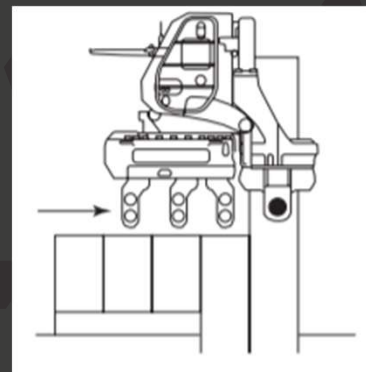
- 1) Still Worker is set on a reaction stand for the installation of the first two or three piles.



- 2) Still Worker moves by elevating its travel carriage while supporting itself on the last pile.



- 3) Travel carriage then slides forward.



- 4) Travel carriage lowers itself and drops onto the installed sheet piles and continues its hydraulic installation process, Still Worker will have walked off the reaction stand and will be using the installed piles as reaction.

